



Spare parts for:

## Coffee grinders



Suitable for:

# CIMBALI



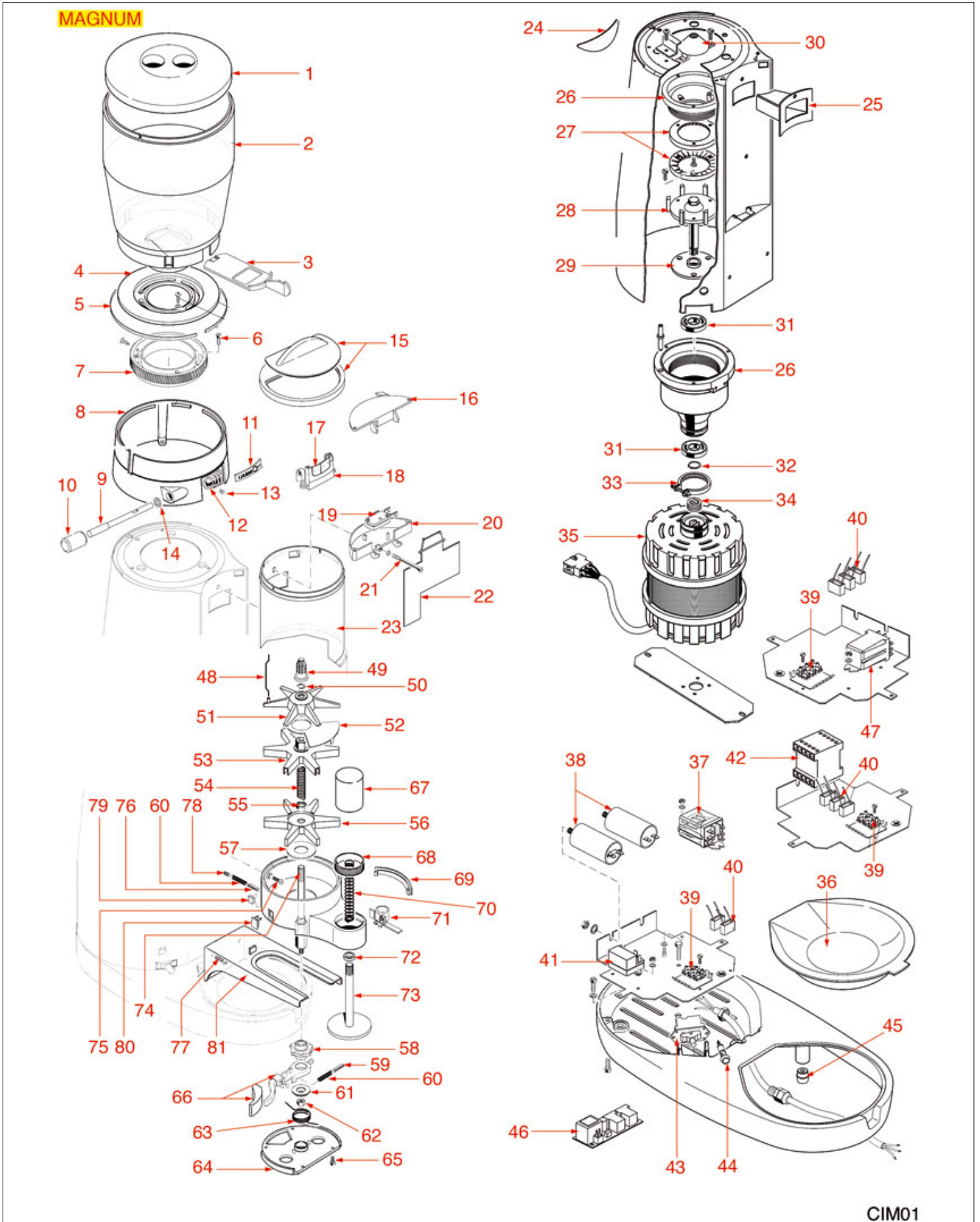
This catalogue is automatically generated.  
Therefore, the sequence of the items might  
not be always shown at best.  
Updates will be issued in case of additions  
and/or amendments.

*Suitable universal spare parts may not be included*





## GRINDER ASSEMBLY MAGNUM





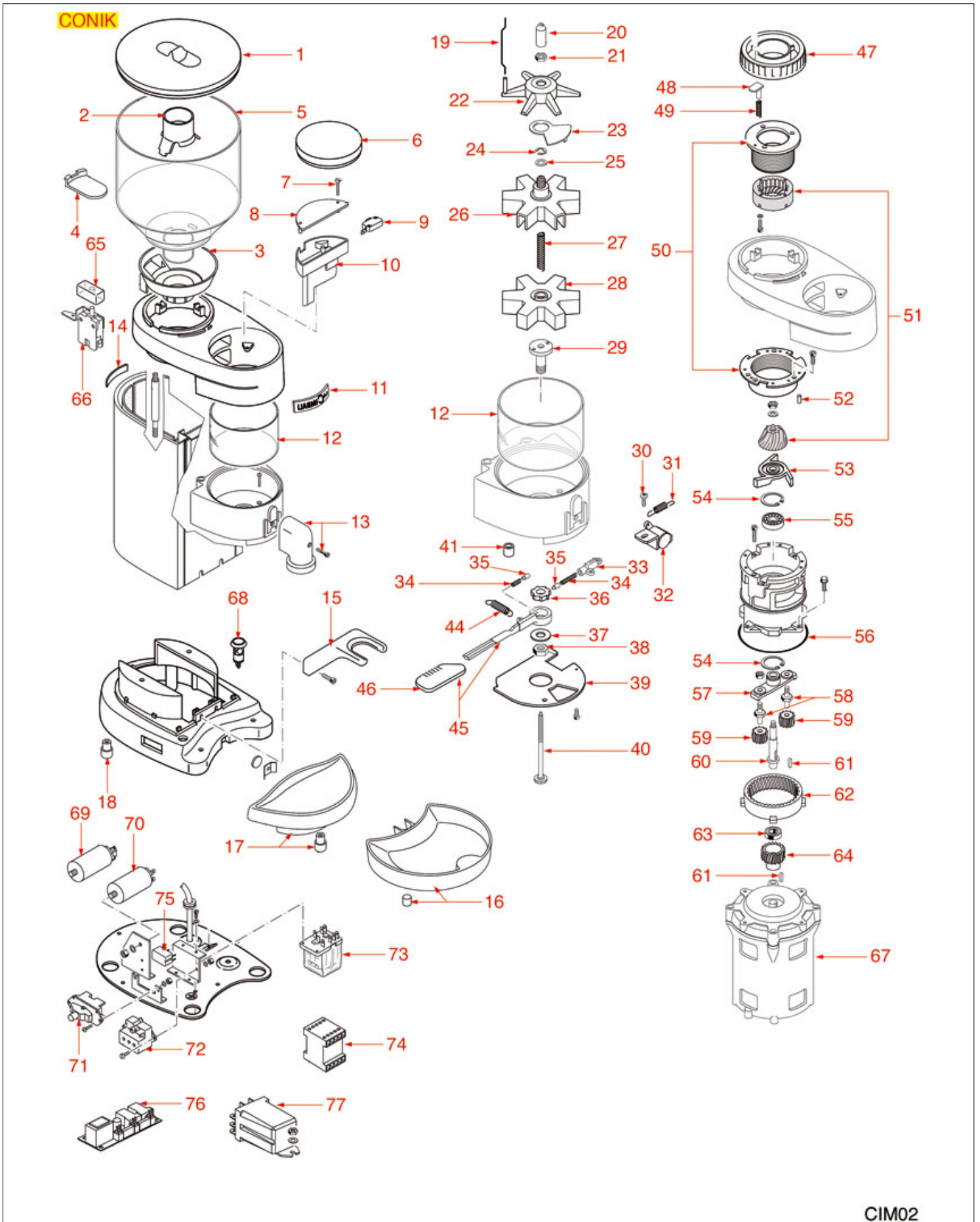
# CIMBALI



Position	LF code no.	Description
1	1252057	COFFEE HOPPER LID
2	1080012	COFFEE HOPPER
15	1252020	DOSER LID
16	1252058	MICRO BOX LID
19	1240030	MICROSWITCH 110/230V
19	3240123	MICROSWITCH 16A 250V
20	1252059	MICRO BOX
22	1252010	MICRO OPERATION FLAP
23	1252382	DOSER CYLINDER
27	1251015	GRINDING BURRS CIMBALI-FAEMA (PAIR) RH
34	1250059	MOTOR PIN SPRING
37	3351008	RELAY 62.83 16A 230V 50/60Hz
38	3068014	CAPACITOR $\mu$ F 8 450V 50/60Hz
44	3221101	GREEN INDICATOR LAMP 230V
48	1252065	SCRAPER FOR COFFEE DOSER
49	1241052	DOSE ADJUSTMENT KNOB
52	1252200	DOSER SHEET
54	1250035	SPRING $\varnothing$ 11x50 mm
58	1252021	PAWL GEAR 6 TEETH
59	1250036	CLASP $\varnothing$ 5x16 mm
60	1250061	CLASP SPRING
63	1250033	DOSER LEVER RETURN SPRING LEFTHAND
63	1250062	DOSER LEVER RETURN SPRING
70	1250060	COFFEE TAMPER SPRING $\varnothing$ 13x73 mm



## GRINDER ASSEMBLY CONIK





# CIMBALI

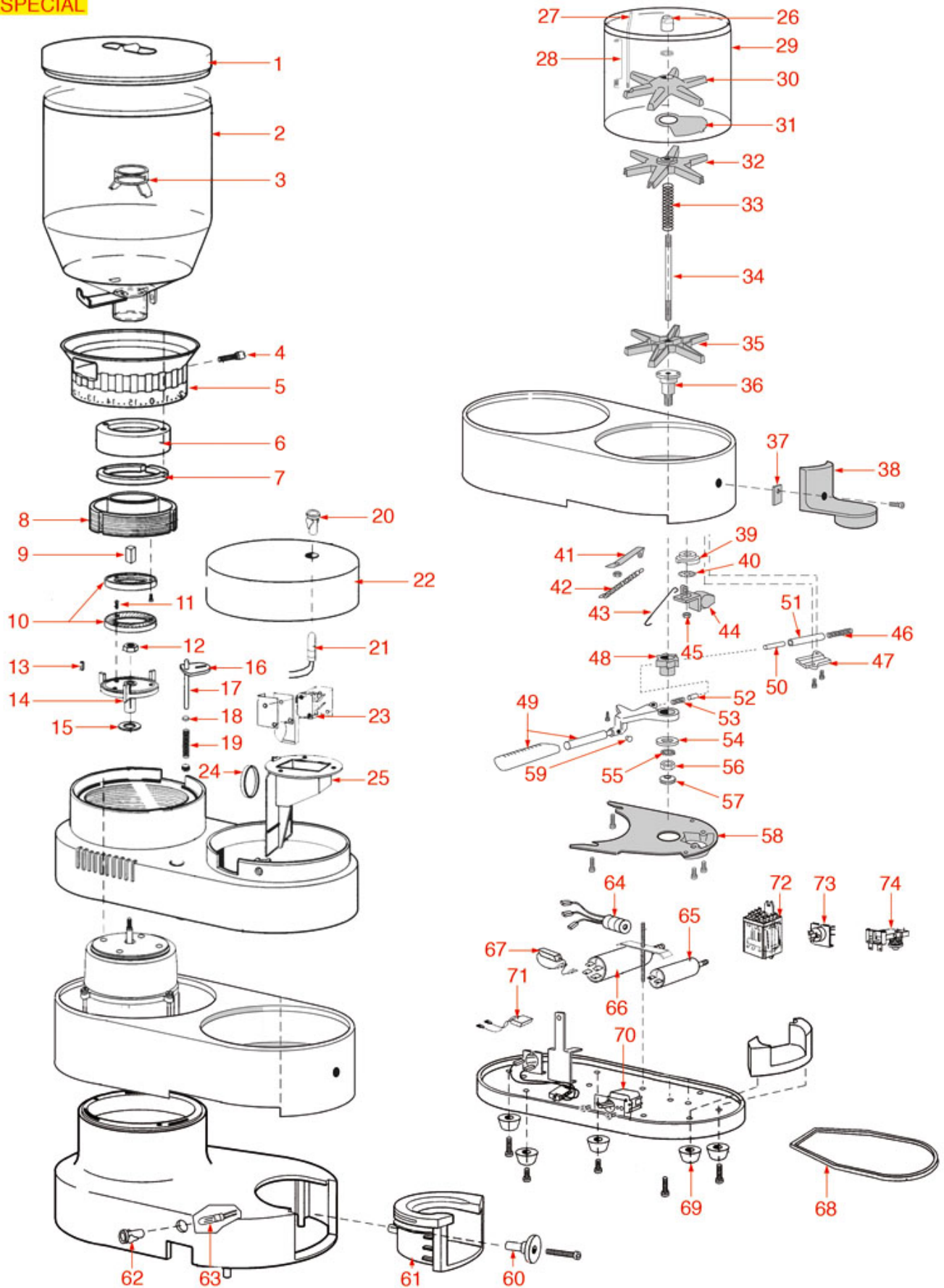


Position	LF code no.	Description
1	1252055	COFFEE HOPPER LID
5	1080011	COFFEE HOPPER
8	1252294	MICROSWITCH BOX LID
9	3240123	MICROSWITCH 16A 250V
10	1252070	SUPPORT FOR MICRO
12	1252192	DOSER CYLINDER
15	1252077	FILTER HOLDER FORK
19	1252065	SCRAPER FOR COFFEE DOSER
20	1252318	LOCKING RING NUT
22	1343020	TOP STAR
23	1252200	DOSER SHEET
26	1343023	MIDDLE STAR
27	1250035	SPRING $\varnothing$ 11x50 mm
28	1343026	BOTTOM STAR
31	1250069	STROKE COUNTER SPRING
32	1252308	COUNTER FOR COFFEE GRINDER
34	1250031	CLAPS SPRING $\varnothing$ 5x24 mm
35	1250038	CLASP $\varnothing$ 5x18 mm
36	1252330	COFFEE GRINDER/DOSER PAWL
44	1250032	LEVER RETURN SPRING $\varnothing$ 9x50 mm
47	1252383	GRINDING ADJUSTMENT RING NUT
48	1252384	LOCKING PIN
49	1250034	SPRING $\varnothing$ 8x25 mm
51	1251045	GRINDING BURRS FAEMA CONICAL (PAIR) RH
53	1251034	BOTTOM BURRS HOLDER IMPELLER
66	1240007	MICROSWITCH 16A 250V
68	1221006	GREEN INDICATOR LAMP 250V
69	3068024	CAPACITOR $\mu$ F 16 450V 50/60Hz
70	3068019	CAPACITOR $\mu$ F 12.5 450V 50/60Hz



## GRINDER ASSEMBLY SPECIAL

**SPECIAL**



CIM03

Positions without LF code no.: upon request



# CIMBALI

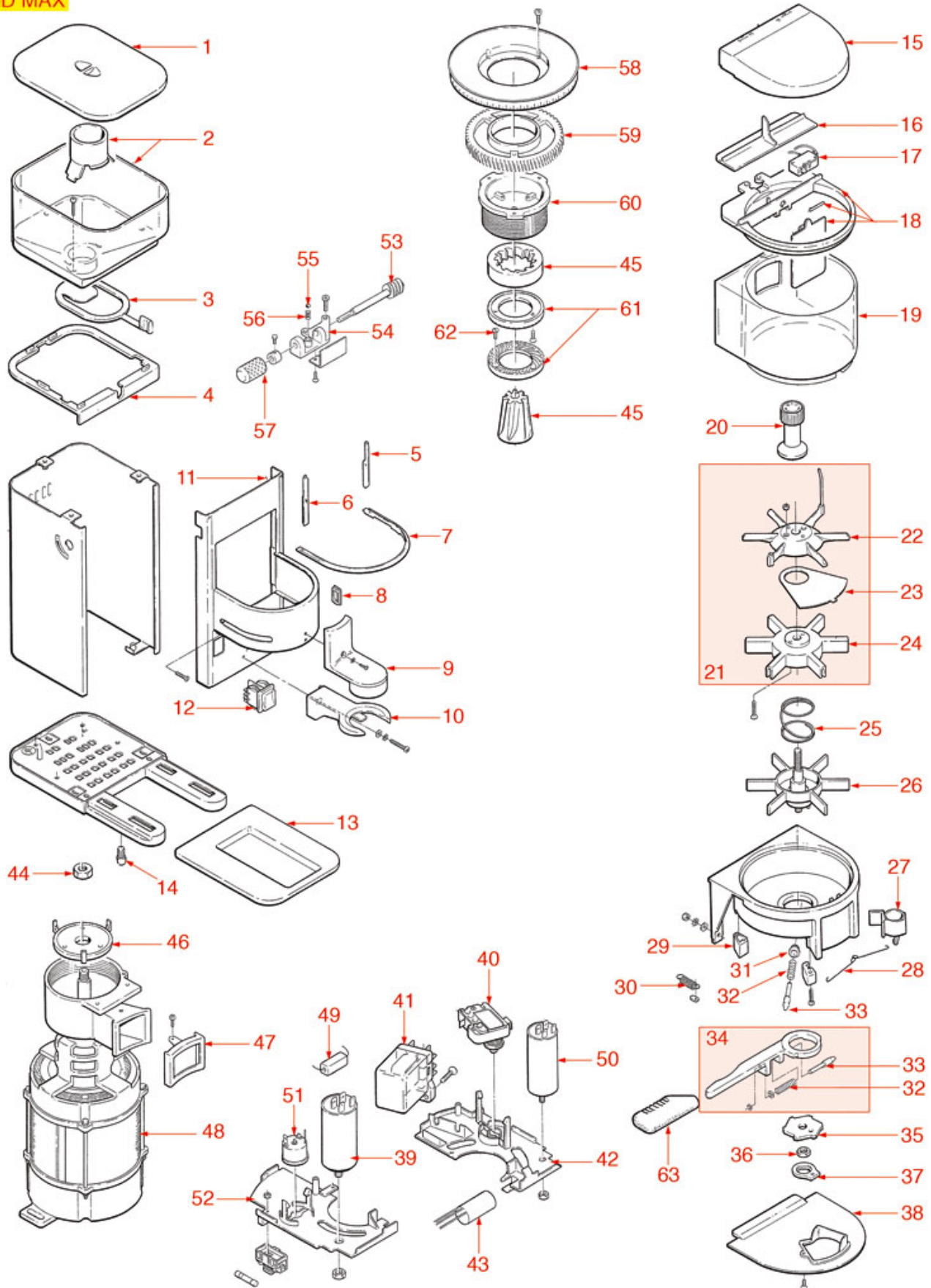


Position	LF code no.	Description
1	1252055	COFFEE HOPPER LID
2	1080044	COFFEE HOPPER
16	1252309	ADJUSTMENT BUTTON
17	1252346	ADJUSTMENT PIN
19	1250107	ADJUSTMENT ROD SPRING
20	3221021	RED LAMP RECEPTACLE
23	1240037	MICROSWITCH 6A 250V
24	1252260	MICRO BOX LID FOR DOSER
25	1252197	MICROSWITCH BOX
27	1252293	MIXER ROD
28	1250117	MIXER ROD SPRING
29	1252193	DOSER CYLINDER
30	1343027	TOP STAR
31	1252347	DOSER SHEET
32	1343028	MIDDLE STAR
33	1250118	DOSE ADJUSTMENT SPRING
35	1343022	BOTTOM STAR
36	1252265	CONVEYER FOR STAR
38	1385010	COFFEE TAMPER Ø 55 mm
42	1250119	DOSER LEVER RETURN SPRING
43	1250110	COUNTER TIE ROD
44	1252312	COUNTER FOR COFFEE GRINDER
46	1250108	PIN SPRING
48	1252363	PAWL COFFEE GRINDER/DOSER
49	1225020	DOSER LEVER
50	1252349	PAWL CLASP
52	1252349	PAWL CLASP
53	1250108	PIN SPRING
59	1252471	BUMPER FOR DOSER LEVER
62	3221262	GREEN LAMP RECEPTACLE
63	1221002	GREEN INDICATOR LAMP 220V
70	1319212	THREE-POLE LEVER SWITCH 16A 400V
72	3351008	RELAY 62.83 16A 230V 50/60Hz
74	1252529	CIRCUIT INTERRUPTER MD50 4211 - NEW



## GRINDER ASSEMBLY MAX

MD MAX



CIM04

Positions without LF code no.: upon request





# CIMBALI

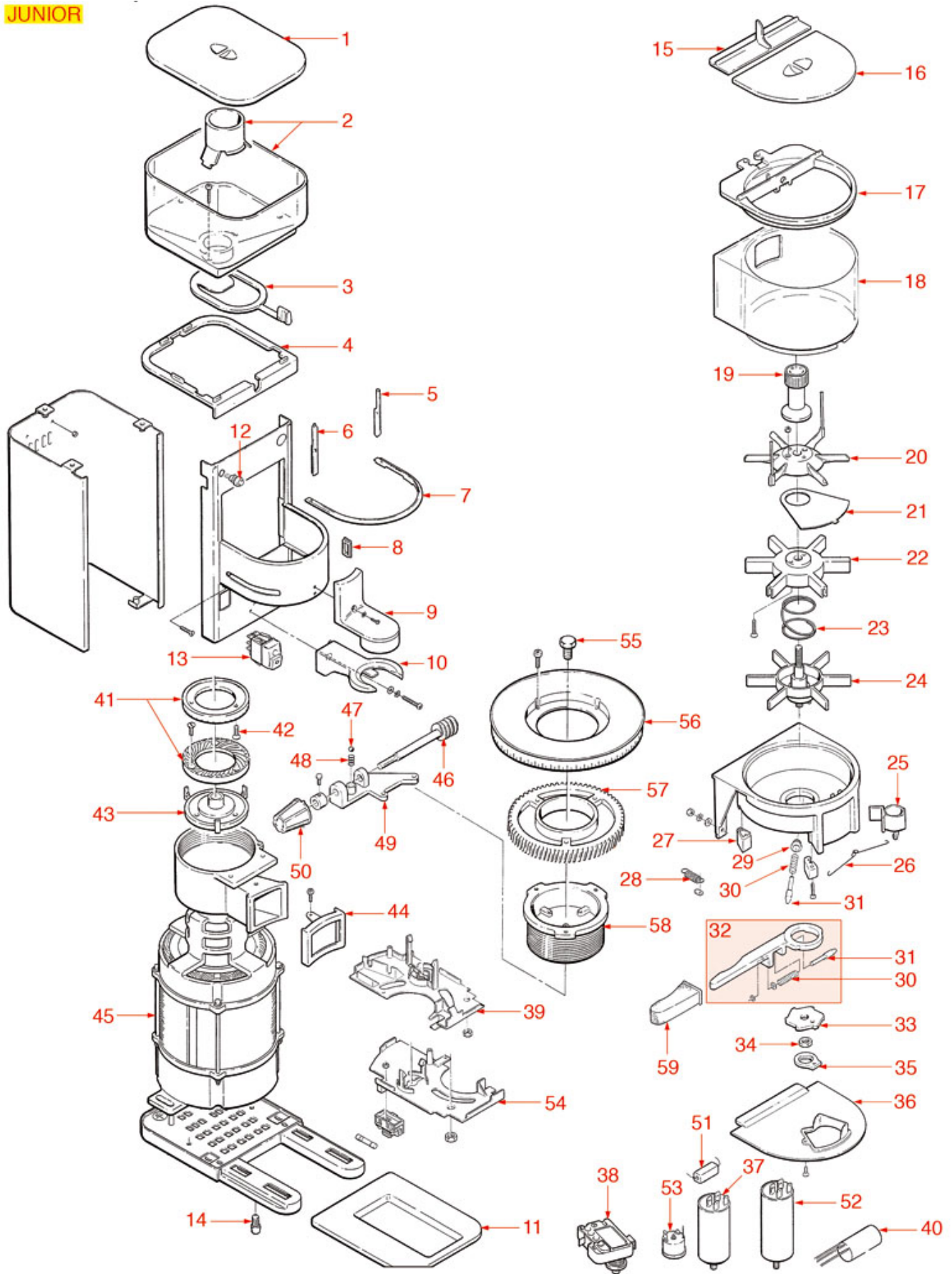


Position	LF code no.	Description
1	1252190	COFFEE HOPPER LID
2	1080042	COFFEE HOPPER
3	1252195	COFFEE HOPPER CLOSING SHEET
9	1385010	COFFEE TAMPER Ø 55 mm
10	1252259	FILTER HOLDER FORK
12	3319012	GREEN BIPOLAR SWITCH 16A 250V
13	1252381	COFFEE COLLECTION TRAY
15	1252198	DOSER LID
16	1252258	LID WITH POINTER
17	3240123	MICROSWITCH 16A 250V
18	1252331	SUPPORT FOR MICROSWITCH
19	1252105	DOSER CYLINDER
20	1241070	DOSE ADJUSTMENT KNOB
21	1343024	STAR ASSEMBLY
22	1343025	TOP STAR
23	1252196	DOSER SHEET
24	1343015	DOSE ADJUSTMENT STAR
25	1250091	DISPENSER STAR SPRING
26	1343016	DOSE CONVEYING STAR
27	1252308	COUNTER FOR COFFEE GRINDER
28	1252107	STROKE COUNTER SHAFT
30	1250093	DOSER LEVER RETURN SPRING
34	1252343	DOSER LEVER
35	1252364	PAWL COFFEE GRINDER/DOSER
38	1252109	DISPENSER LOWER LID
39	3068010	CAPACITOR µF 6.3 450V 50/60Hz
40	1252529	CIRCUIT INTERRUPTER MD50 4211 - NEW
47	1186614	GASKET FOR COFFEE OUTLET OPENING
53	1528037	WORM SCREW
54	1252344	SUPPORT FOR SCREW
55	1252290	BALL FOR MICRO REGULATION GROUP
56	1250109	BALL SPRING
57	1241072	CONTROL KNOB
59	1252345	ADJUSTMENT RING NUT
61	1251047	GRINDING BURRS PAIR CIMBALI RH



## GRINDER ASSEMBLY JUNIOR

**JUNIOR**





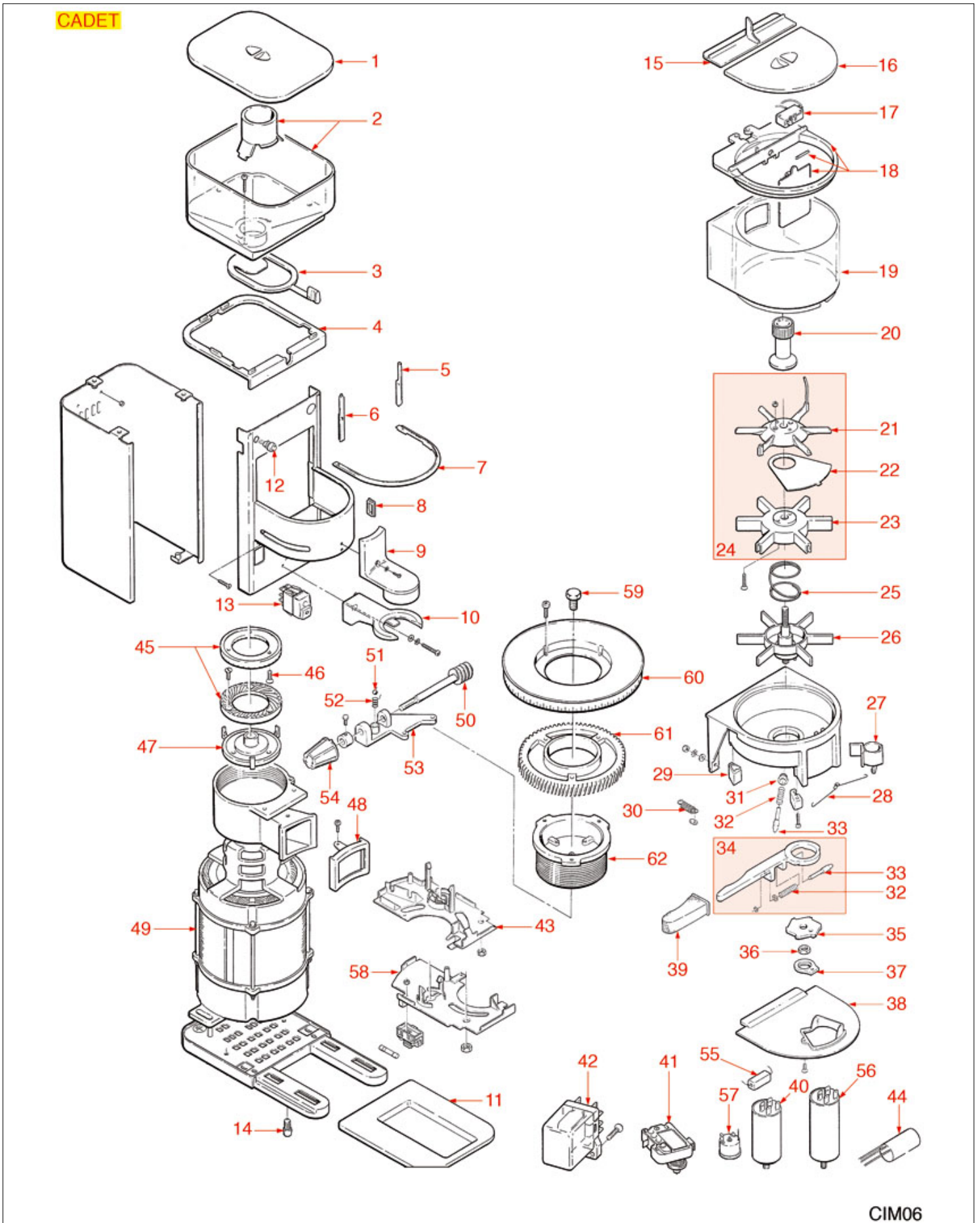
# CIMBALI



Position	LF code no.	Description
1	1252190	COFFEE HOPPER LID
2	1080041	COFFEE HOPPER
3	1252195	COFFEE HOPPER CLOSING SHEET
9	1385010	COFFEE TAMPER Ø 55 mm
10	1252259	FILTER HOLDER FORK
11	1252381	COFFEE COLLECTION TRAY
12	3221095	ORANGE INDICATOR LAMP 230V
13	1319902	BLACK BIPOLAR SWITCH 16A 250V
15	1252258	LID WITH POINTER
16	1252110	DOSER LID
17	1252365	DISPENSER FRAME
18	1252105	DOSER CYLINDER
19	1241070	DOSE ADJUSTMENT KNOB
20	1252106	BOTTOM STAR WITH MIXER
21	1252196	DOSER SHEET
22	1343015	DOSE ADJUSTMENT STAR
23	1250091	DISPENSER STAR SPRING
24	1343016	DOSE CONVEYING STAR
25	1252308	COUNTER FOR COFFEE GRINDER
26	1252107	STROKE COUNTER SHAFT
28	1250093	DOSER LEVER RETURN SPRING
32	1252343	DOSER LEVER
33	1252364	PAWL COFFEE GRINDER/DOSER
36	1252109	DISPENSER LOWER LID
37	3068010	CAPACITOR µF 6.3 450V 50/60Hz
41	1251032	GRINDING BURRS CIMBALI (PAIR) RIGHT
43	1251029	GRINDING BURRS TURNING HOLDER
44	1186614	GASKET FOR COFFEE OUTLET OPENING
46	1528037	WORM SCREW
47	1252290	BALL FOR MICRO REGULATION GROUP
48	1250109	BALL SPRING
49	1252344	SUPPORT FOR SCREW
50	1241073	CONTROL KNOB
57	1252345	ADJUSTMENT RING NUT
59	1252108	DOSER LEVER KNOB



## GRINDER ASSEMBLY CADET





# CIMBALI

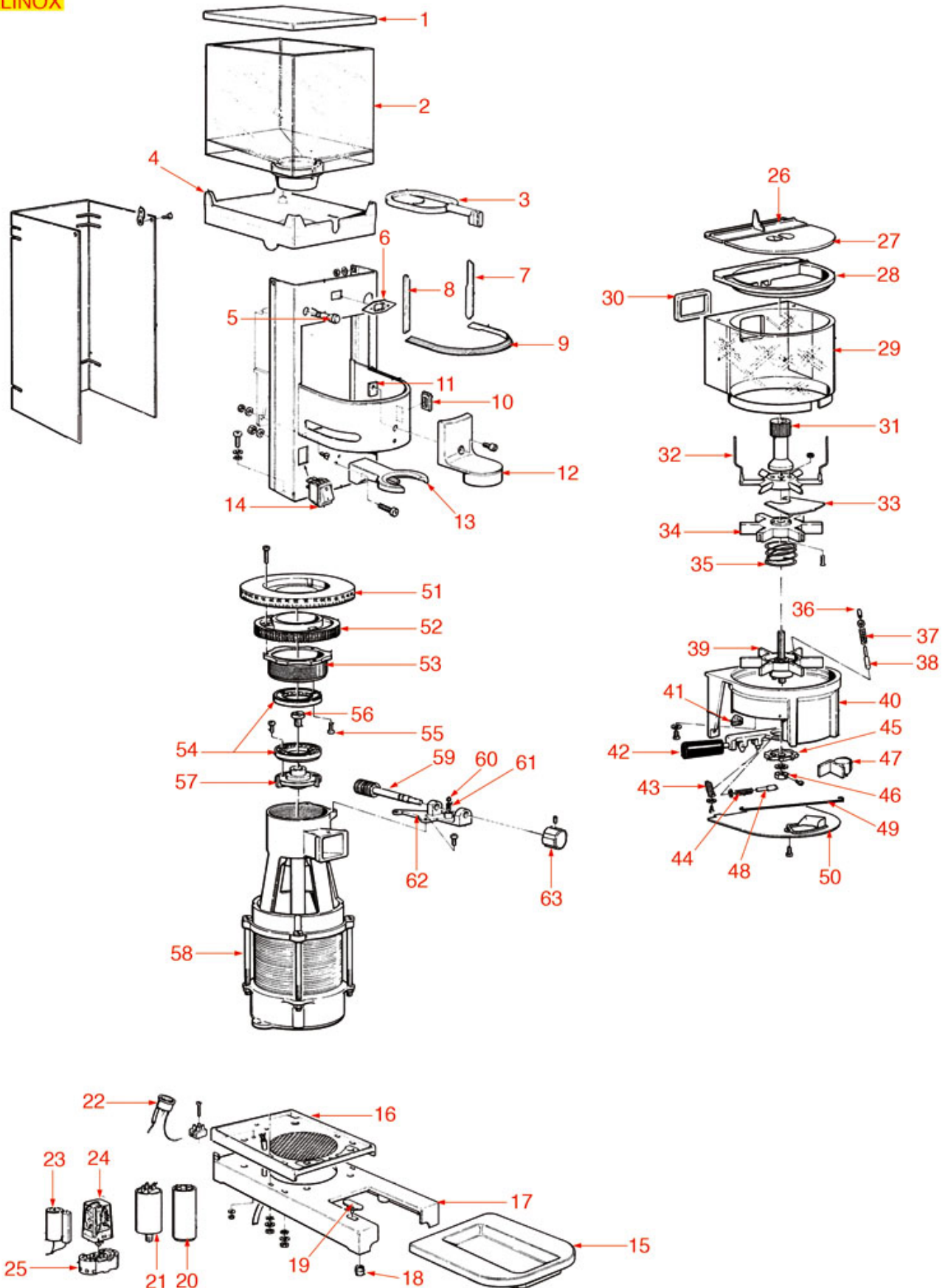


Position	LF code no.	Description
1	1252190	COFFEE HOPPER LID
2	1080042	COFFEE HOPPER
3	1252195	COFFEE HOPPER CLOSING SHEET
9	1385010	COFFEE TAMPER Ø 55 mm
10	1252259	FILTER HOLDER FORK
11	1252381	COFFEE COLLECTION TRAY
12	3221132	GREEN INDICATOR LAMP 230V
13	1319902	BLACK BIPOLAR SWITCH 16A 250V
15	1252258	LID WITH POINTER
16	1252110	DOSER LID
17	3240123	MICROSWITCH 16A 250V
18	1252331	SUPPORT FOR MICROSWITCH
19	1252105	DOSER CYLINDER
20	1241070	DOSE ADJUSTMENT KNOB
21	1343025	TOP STAR
22	1252196	DOSER SHEET
23	1343015	DOSE ADJUSTMENT STAR
24	1343024	STAR ASSEMBLY
25	1250091	DISPENSER STAR SPRING
26	1343016	DOSE CONVEYING STAR
27	1252308	COUNTER FOR COFFEE GRINDER
28	1252107	STROKE COUNTER SHAFT
30	1250093	DOSER LEVER RETURN SPRING
34	1252343	DOSER LEVER
35	1252364	PAWL COFFEE GRINDER/DOSER
38	1252109	DISPENSER LOWER LID
39	1252108	DOSER LEVER KNOB
40	3068010	CAPACITOR µF 6.3 450V 50/60Hz
41	1252529	CIRCUIT INTERRUPTER MD50 4211 - NEW
45	1251032	GRINDING BURRS CIMBALI (PAIR) RIGHT
47	1251029	GRINDING BURRS TURNING HOLDER
48	1186614	GASKET FOR COFFEE OUTLET OPENING
50	1528037	WORM SCREW
51	1252290	BALL FOR MICRO REGULATION GROUP
52	1250109	BALL SPRING
53	1252344	SUPPORT FOR SCREW
54	1241073	CONTROL KNOB
61	1252345	ADJUSTMENT RING NUT



## GRINDER ASSEMBLY ALINOX

ALINOX





# CIMBALI

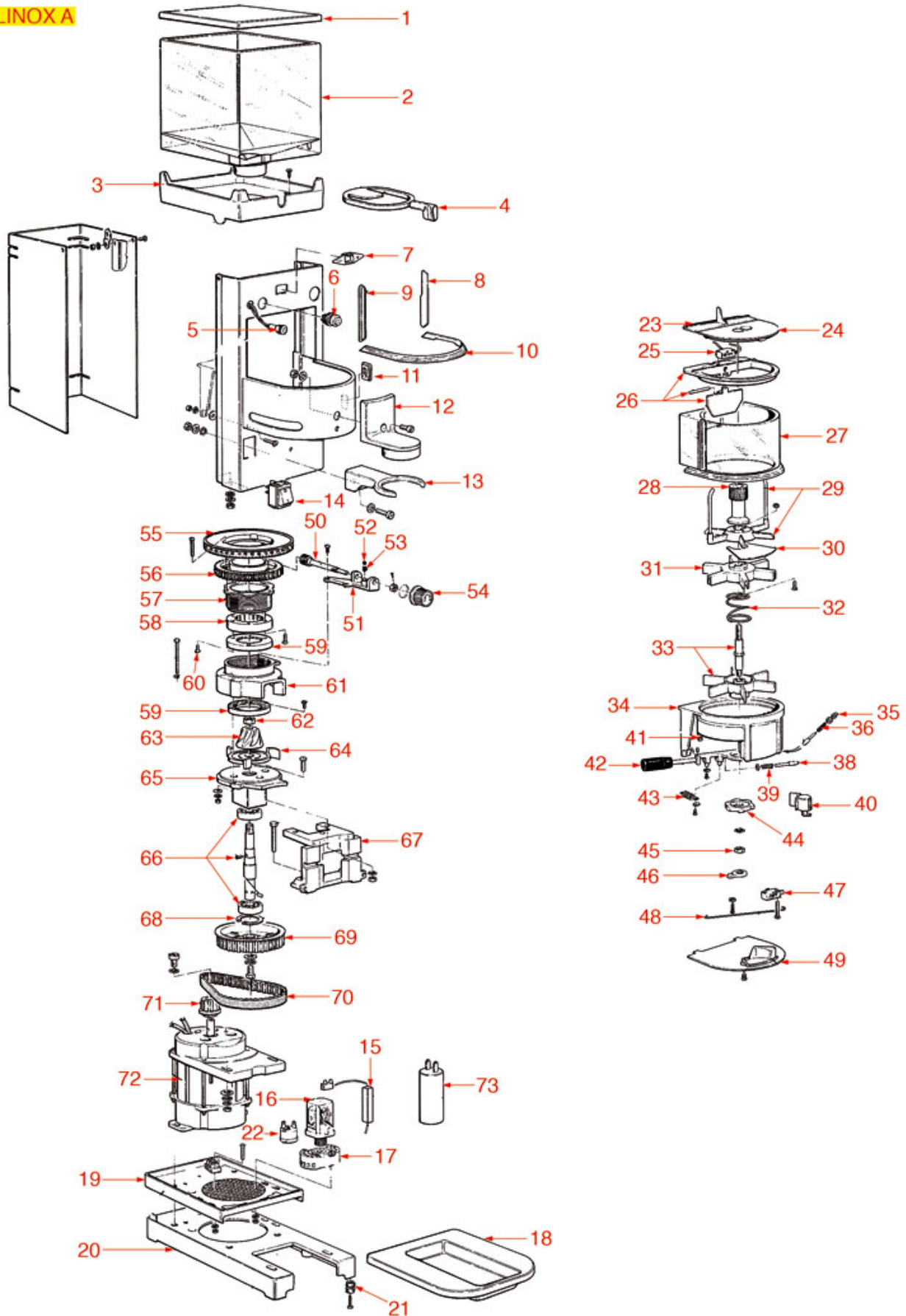


Position	LF code no.	Description
1	1252189	COFFEE HOPPER LID
3	1252195	COFFEE HOPPER CLOSING SHEET
12	1385010	COFFEE TAMPER Ø 55 mm
13	1252259	FILTER HOLDER FORK
14	1319902	BLACK BIPOLAR SWITCH 16A 250V
15	1252381	COFFEE COLLECTION TRAY
21	3068016	CAPACITOR $\mu$ F 10 450V 50/60Hz
26	1252258	LID WITH POINTER
27	1252110	DOSER LID
28	1252365	DISPENSER FRAME
29	1252105	DOSER CYLINDER
30	1186614	GASKET FOR COFFEE OUTLET OPENING
31	1241070	DOSE ADJUSTMENT KNOB
32	1252106	BOTTOM STAR WITH MIXER
33	1252196	DOSER SHEET
34	1343015	DOSE ADJUSTMENT STAR
35	1250091	DISPENSER STAR SPRING
39	1343016	DOSE CONVEYING STAR
42	1252343	DOSER LEVER
43	1250093	DOSER LEVER RETURN SPRING
45	1252364	PAWL COFFEE GRINDER/DOSER
47	1252308	COUNTER FOR COFFEE GRINDER
49	1252107	STROKE COUNTER SHAFT
50	1252109	DISPENSER LOWER LID
52	1252345	ADJUSTMENT RING NUT
54	1251032	GRINDING BURRS CIMBALI (PAIR) RIGHT
57	1251029	GRINDING BURRS TURNING HOLDER
59	1528037	WORM SCREW
60	1252290	BALL FOR MICRO REGULATION GROUP
61	1250109	BALL SPRING
62	1252344	SUPPORT FOR SCREW
63	1241073	CONTROL KNOB



## GRINDER ASSEMBLY ALINOX A

**ALINOX A**







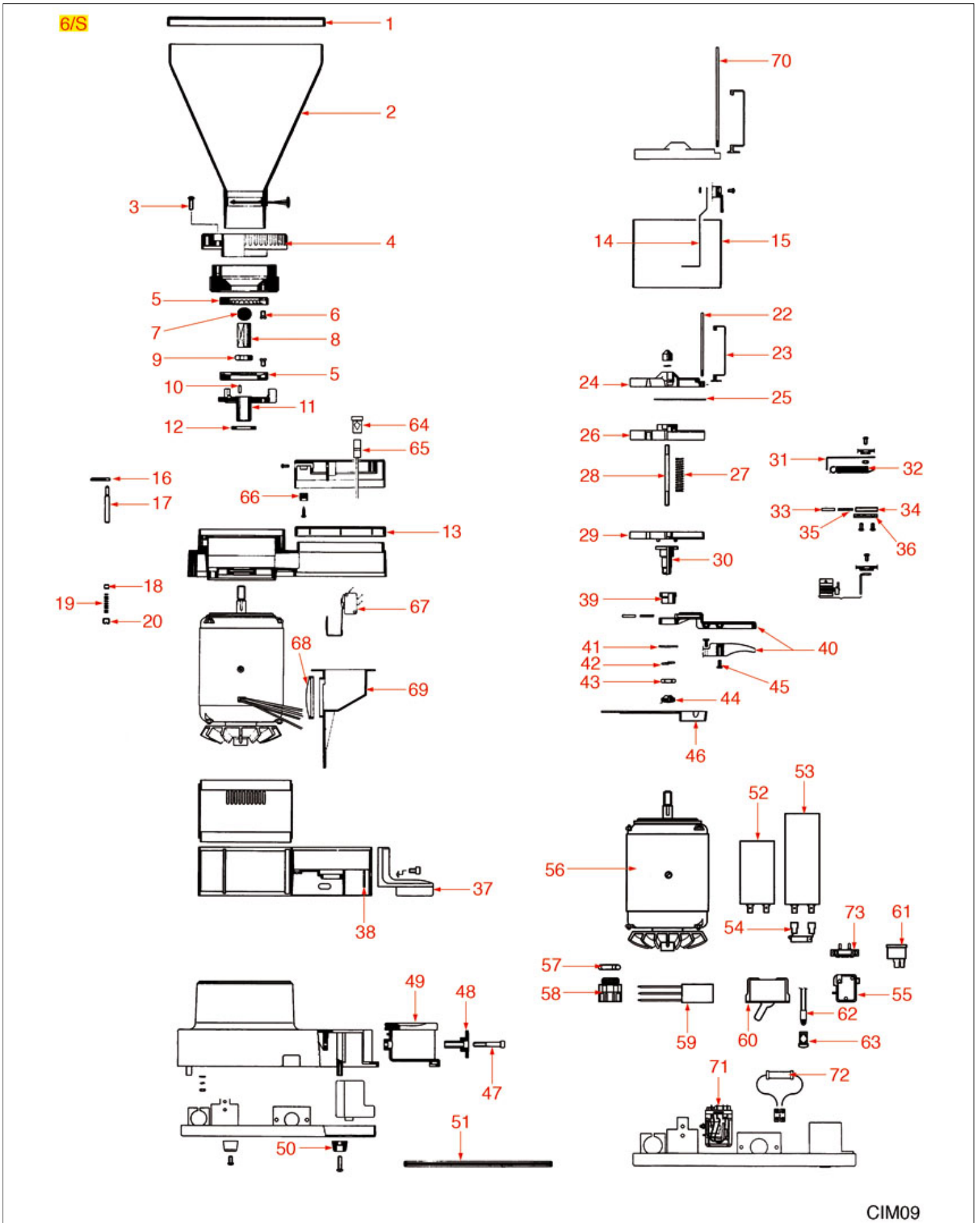
# CIMBALI



Position	LF code no.	Description
1	1252189	COFFEE HOPPER LID
4	1252195	COFFEE HOPPER CLOSING SHEET
6	1319003	BLACK SINGLE POLE PUSH-BUTTON 0.7A 250V
12	1385010	COFFEE TAMPER Ø 55 mm
13	1252259	FILTER HOLDER FORK
14	1319902	BLACK BIPOLAR SWITCH 16A 250V
18	1252381	COFFEE COLLECTION TRAY
23	1252258	LID WITH POINTER
24	1252110	DOSER LID
25	3240123	MICROSWITCH 16A 250V
26	1252310	SUPPORT FOR MICROSWITCH
27	1252105	DOSER CYLINDER
28	1241070	DOSE ADJUSTMENT KNOB
29	1343025	TOP STAR
30	1252196	DOSER SHEET
31	1343015	DOSE ADJUSTMENT STAR
32	1250091	DISPENSER STAR SPRING
33	1343016	DOSE CONVEYING STAR
40	1252308	COUNTER FOR COFFEE GRINDER
42	1252343	DOSER LEVER
43	1250093	DOSER LEVER RETURN SPRING
44	1252364	PAWL COFFEE GRINDER/DOSER
47	3240123	MICROSWITCH 16A 250V
48	1252107	STROKE COUNTER SHAFT
49	1252109	DISPENSER LOWER LID
50	1528037	WORM SCREW
51	1252344	SUPPORT FOR SCREW
52	1252290	BALL FOR MICRO REGULATION GROUP
53	1250109	BALL SPRING
54	1241073	CONTROL KNOB
56	1252345	ADJUSTMENT RING NUT
59	1251036	GRINDING BURRS DRM-ALINOX (PAIR) RIGHT
73	3068016	CAPACITOR µF 10 450V 50/60Hz



## GRINDER ASSEMBLY 6/S





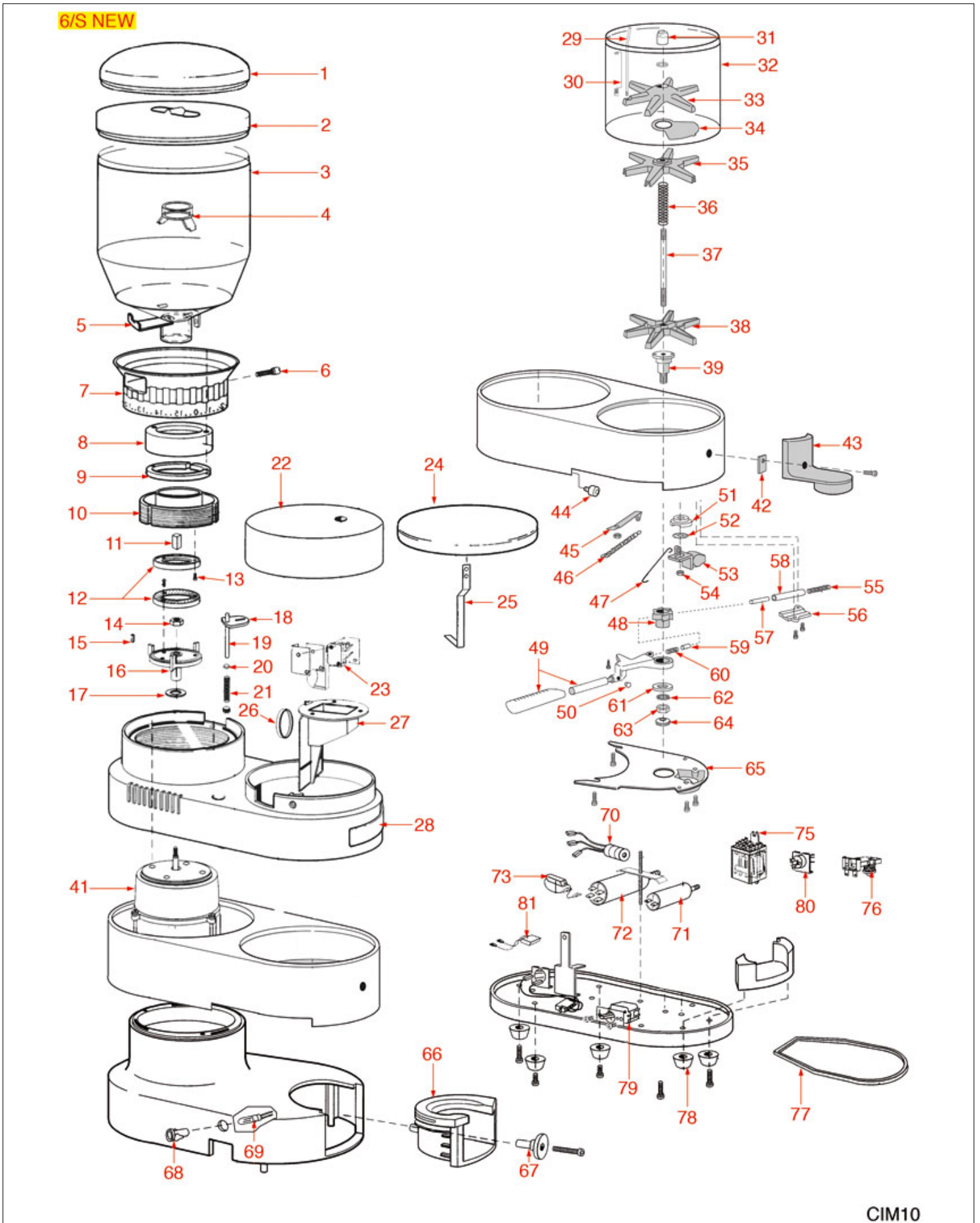
# CIMBALI



Position	LF code no.	Description
1	1252191	COFFEE HOPPER LID
2	1080043	COFFEE HOPPER
3	1528012	CROSS HEAD SCREW M5x14 UNI 7687
4	1252306	ADJUSTMENT RING NUT
11	1251040	GRINDING BURRS BOTTOM HOLDER
13	1252219	DOSER LID
14	1252194	MIXER ROD
15	1252193	DOSER CYLINDER
16	1252309	ADJUSTMENT BUTTON
17	1252346	ADJUSTMENT PIN
19	1250107	ADJUSTMENT ROD SPRING
22	1252293	MIXER ROD
23	1250120	ROD SPRING
24	1343027	TOP STAR
25	1252347	DOSER SHEET
26	1343028	MIDDLE STAR
27	1250118	DOSE ADJUSTMENT SPRING
29	1343022	BOTTOM STAR
32	1250125	DOSER LEVER RETURN SPRING
33	1252349	PAWL CLASP
35	1250108	PIN SPRING
37	1385010	COFFEE TAMPER Ø 55 mm
39	1252348	PAWL COFFEE GRINDER/DOSER
40	1252199	DOSER LEVER RIGHTHAND
55	1252529	CIRCUIT INTERRUPTER MD50 4211 - NEW
60	1319212	THREE-POLE LEVER SWITCH 16A 400V
62	1221002	GREEN INDICATOR LAMP 220V
63	3221262	GREEN LAMP RECEPTACLE
64	3221021	RED LAMP RECEPTACLE
67	1240037	MICROSWITCH 6A 250V
68	1252260	MICRO BOX LID FOR DOSER
69	1252197	MICROSWITCH BOX
71	3351008	RELAY 62.83 16A 230V 50/60Hz



## GRINDER ASSEMBLY 6/S NEW





# CIMBALI



Position	LF code no.	Description
2	1252055	COFFEE HOPPER LID
3	1080044	COFFEE HOPPER
5	1252307	COFFEE HOPPER CLOSING SHEET
16	1251040	GRINDING BURRS BOTTOM HOLDER
18	1252309	ADJUSTMENT BUTTON
19	1252346	ADJUSTMENT PIN
21	1250107	ADJUSTMENT ROD SPRING
23	1240037	MICROSWITCH 6A 250V
24	1252219	DOSER LID
25	1252194	MIXER ROD
26	1252260	MICRO BOX LID FOR DOSER
27	1252197	MICROSWITCH BOX
29	1252293	MIXER ROD
30	1250117	MIXER ROD SPRING
30	1250120	ROD SPRING
32	1252193	DOSER CYLINDER
33	1343027	TOP STAR
34	1252347	DOSER SHEET
35	1343028	MIDDLE STAR
36	1250118	DOSE ADJUSTMENT SPRING
38	1343022	BOTTOM STAR
39	1252265	CONVEYER FOR STAR
43	1385010	COFFEE TAMPER Ø 55 mm
46	1250119	DOSER LEVER RETURN SPRING
47	1250110	COUNTER TIE ROD
48	1252363	PAWL COFFEE GRINDER/DOSER
49	1225020	DOSER LEVER
50	1252471	BUMPER FOR DOSER LEVER
53	1252312	COUNTER FOR COFFEE GRINDER
55	1250108	PIN SPRING
57	1252349	PAWL CLASP
59	1252349	PAWL CLASP
60	1250108	PIN SPRING
68	3221262	GREEN LAMP RECEPTACLE
69	1221002	GREEN INDICATOR LAMP 220V
75	3351008	RELAY 62.83 16A 230V 50/60Hz
76	1252529	CIRCUIT INTERRUPTER MD50 4211 - NEW
79	1319212	THREE-POLE LEVER SWITCH 16A 400V



Suitable for:

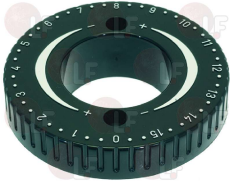
# CIMBALI



Suitable for:

## Adjustment rings for coffee grinder

**1252306 ADJUSTMENT RING NUT**  
for Grinder-dispenser (CIMBALI) 6/S



CIMBALI 465-291-020

**1252345 ADJUSTMENT RING NUT**  
for Grinder-dispenser (CIMBALI) ALINOX - ALINOX A  
CADET - MD JUNIOR - MD MAX



CIMBALI 803-130-002

**1252383 GRINDING ADJUSTMENT RING NUT**  
for Grinder-dispenser (CIMBALI) CONIK - MC99

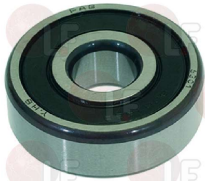


CIMBALI 4529-135-275

CIMBALI 965-485-000

## Bearings

**1063013 BEARING 6301 2RS**  
for Grinder-dispenser (CIMBALI) MAGNUM  
for Grinder-dispenser (FAEMA) MC90 - MD2000



CIMBALI 3711-022-897

CIMBALI 580-105-310

## Capacitors

**3068016 CAPACITOR  $\mu$ F 10 450V 50/60Hz**  
operating temperature  $-25+85^{\circ}\text{C}$   
in compliance with EEC 93/68 and 92/31 regulations



CIMBALI 2341-119-567

CIMBALI 531-401-600

CIMBALI 531-492-000

CIMBALI 531-492-900

**3068019 CAPACITOR  $\mu$ F 12.5 450V 50/60Hz**  
operating temperature  $-25+85^{\circ}\text{C}$   
in compliance with EEC 93/68 and 92/31 regulations



CIMBALI 3341-115-503

CIMBALI 531-404-000



Suitable for:

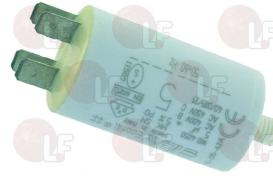
**3068024 CAPACITOR  $\mu$ F 16 450V 50/60Hz**  
operating temperature  $-25+85^{\circ}\text{C}$   
in compliance with EEC 93/68 and 92/31 regulations



CIMBALI 3341-131-517

Suitable for:

**3068008 CAPACITOR  $\mu$ F 5 450V 50/60Hz**  
operating temperature  $-25+85^{\circ}\text{C}$   
in compliance with EEC 93/68 and EEC 92/31 regulat



CIMBALI 531-404-100

CIMBALI 531-492-800

**3068010 CAPACITOR  $\mu$ F 6.3 450V 50/60Hz**  
operating temperature  $-25+85^{\circ}\text{C}$   
in compliance with EEC 93/68 and EEC 92/31 regulat



CIMBALI 803-140-045

**3068014 CAPACITOR  $\mu$ F 8 450V 50/60Hz**  
operating temperature  $-25+85^{\circ}\text{C}$   
in compliance with EEC 93/68 and 92/31 regulations



CIMBALI 2341-134-750

CIMBALI 2341134750

## Circlips

**1348817 STAINLESS STEEL CIRCLIP RA-4 UNI 7437**



CIMBALI 568-204-051

## Clamps

**1168011 STAINLESS STEEL CLAMP FOR FLANGE PUMP**



CIMBALI 539-000-101

## Coffee measuring spoons

**1069001 PLASTIC MEASURING SPOON 20 ml**



CIMBALI 457-203-000

**1069002 STAINLESS STEEL MEASURING SPOON 20 ml**



CIMBALI



Suitable for:

# CIMBALI



Suitable for:

## Containers for coffee

**1080011 COFFEE HOPPER**  
for Grinder-dispenser (CIMBALI) CONIK



CIMBALI 3504-135-294

CIMBALI 965-276-000

**1080012 COFFEE HOPPER**  
for Grinder-dispenser (CIMBALI) MAGNUM  
for Grinder-dispenser (FAEMA) MD2000 - MD3000



CIMBALI 4504-133-563

CIMBALI 4504-135-040

CIMBALI 465-818-000

CIMBALI 800-135-040

**1080030 COFFEE HOPPER**  
for Grinder-dispenser (FAEMA) MPN



CIMBALI 3526-133-557

**1080041 COFFEE HOPPER**  
for Grinder-dispenser (CIMBALI) MD JUNIOR



CIMBALI 803-190-023

CIMBALI 965-299-000

**1080042 COFFEE HOPPER**  
for Grinder-dispenser (CIMBALI) CADET - MD MAX



CIMBALI 803-190-035

CIMBALI 965-300-000

**1080043 COFFEE HOPPER**  
for Grinder-dispenser (CIMBALI) 6/S



CIMBALI 465-505-000

**1080044 COFFEE HOPPER**  
for Grinder-dispenser (CIMBALI) SPECIAL - 6/SNEW



CIMBALI 465-990-000

CIMBALI 465-990-010

**1080207 COFFEE HOPPER**  
for Grinder-dispenser (CASADIO) THEOCONIC - THEO64  
THEO84  
for Grinder-dispenser (CIMBALI) 7S  
for Grinder-dispenser (FAEMA) MD7S - ME64



CIMBALI 965-089-010

**1252195 COFFEE HOPPER CLOSING SHEET**  
for Grinder-dispenser (CIMBALI) ALINOX - ALINOX A  
CADET - MD JUNIOR - MD MAX  
for Grinder-dispenser (DRM) GTM64



CIMBALI 803-190-003

**1252307 COFFEE HOPPER CLOSING SHEET**  
for Grinder-dispenser (CIMBALI) 6/SNEW



CIMBALI 465-401-000

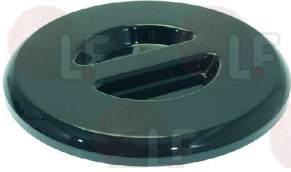
CIMBALI 465-401-010





Suitable for:

- 1080208 COFFEE HOPPER LID**  
 for Grinder-dispenser (CASADIO) THEOCONIC - THEO64  
 THEO84  
 for Grinder-dispenser (CIMBALI) 7S  
 for Grinder-dispenser (FAEMA) MD7S - ME64



CIMBALI 965-088-000

Suitable for:

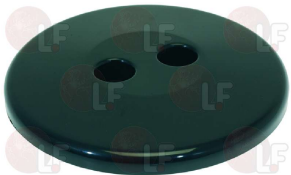
- 1252055 COFFEE HOPPER LID**  
 for Grinder-dispenser (CIMBALI) CONIK - SPECIAL  
 6/SNEW



CIMBALI 465-992-000

CIMBALI 465-992-010

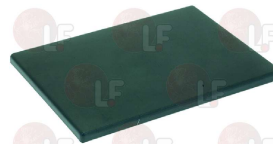
- 1252057 COFFEE HOPPER LID**  
 for Grinder-dispenser (CIMBALI) MAGNUM  
 for Grinder-dispenser (FAEMA) MD2000 - MD3000



CIMBALI 4529-133-528

CIMBALI 800-133-528

- 1252189 COFFEE HOPPER LID**  
 for Grinder-dispenser (CIMBALI) ALINOX - ALINOX A  
 for Grinder-dispenser (DRM) GTM64



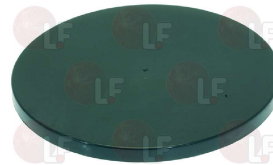
CIMBALI 803-190-001

- 1252190 COFFEE HOPPER LID**  
 for Grinder-dispenser (CIMBALI) CADET - MD JUNIOR  
 MD MAX



CIMBALI 803-190-024

- 1252191 COFFEE HOPPER LID**  
 for Grinder-dispenser (CIMBALI) 6/S



CIMBALI 465-146-000

## Counters

- 1252025 COUNTER FOR COFFEE GRINDER**  
 for Grinder-dispenser (CASADIO) ENEA - GC98 - G84  
 THEOCONIC - THEO64 - THEO84  
 for Grinder-dispenser (CIMBALI) 7S  
 for Grinder-dispenser (FAEMA) MD2000 - MD7S - ME64



CIMBALI 4251-133-589

- 1252308 COUNTER FOR COFFEE GRINDER**  
 for Grinder-dispenser (CIMBALI) CONIK  
 for Grinder-dispenser (FAEMA) MC90 - MC99 - MPN



CIMBALI 4251-117-500

CIMBALI 803-130-023

- 1252312 COUNTER FOR COFFEE GRINDER**  
 for Grinder-dispenser (CIMBALI) SPECIAL - 6/SNEW



CIMBALI 531-390-700



Suitable for:

# CIMBALI



Suitable for:

## Dosers for coffee

**1252109 DISPENSER LOWER LID**



CIMBALI 803-180-014

**1252105 DOSER CYLINDER**

for Coffee grinder (CIMBALI) ALINX  
for Grinder-dispenser (CIMBALI) ALINOX A - CADET  
MD JUNIOR - MD MAX  
for Grinder-dispenser (DRM) GTM64



CIMBALI 803-190-005

CIMBALI 965-301-000

**1252192 DOSER CYLINDER**

for Grinder-dispenser (CIMBALI) CONIK  
for Grinder-dispenser (FAEMA) MC90 - MC99



CIMBALI 4804-131-211

CIMBALI 965-454-000

**1252193 DOSER CYLINDER**

for Grinder-dispenser (CIMBALI) SPECIAL - 6/S  
6/SNEW



CIMBALI 465-144-000

CIMBALI 465-144-010

**1252382 DOSER CYLINDER**

for Grinder-dispenser (CIMBALI) MAGNUM  
for Grinder-dispenser (FAEMA) MD2000



CIMBALI 4504-133-562

CIMBALI 800-133-562

CIMBALI 965-465-000

**1090050 DOSER CYLINDER ø 122x90 mm**

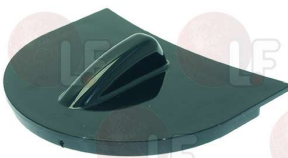
for Grinder-dispenser (CASADIO) THEOCONIC - THEO64  
THEO84  
for Grinder-dispenser (CIMBALI) 7S  
for Grinder-dispenser (FAEMA) MD7S - ME64



CIMBALI 965-160-000

**1090051 DOSER LID**

for Coffee grinder (CASADIO) ENEA0D  
for Grinder-dispenser (CASADIO) ENEA - THEOCONIC  
THEO64 - THEO84  
for Grinder-dispenser (CIMBALI) 7S  
for Grinder-dispenser (FAEMA) MD7S - ME64



CIMBALI 965-104-000

**1252020 DOSER LID**

for Grinder-dispenser (CIMBALI) MAGNUM  
for Grinder-dispenser (FAEMA) MD2000 - MD3000



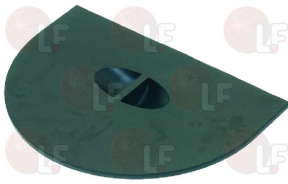
CIMBALI 4529-133-527

CIMBALI 800-133-527

CIMBALI 990-710-000

Suitable for:

**1252110 DOSER LID**  
for Grinder-dispenser (CIMBALI) ALINOX - ALINOX A  
CADET - MD JUNIOR  
for Grinder-dispenser (DRM) GTM64



CIMBALI 803-190-008

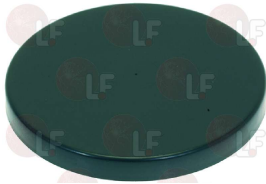
Suitable for:

**1252198 DOSER LID**  
for Grinder-dispenser (CIMBALI) MD MAX



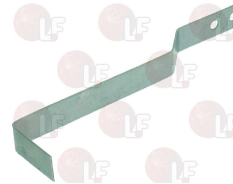
CIMBALI 803-190-039

**1252219 DOSER LID**  
for Grinder-dispenser (CIMBALI) 6/S - 6/SNEW



CIMBALI 465-133-010

**1252194 MIXER ROD**



CIMBALI 465-145-000

**1252293 MIXER ROD**



CIMBALI 465-027-021

CIMBALI 465-027-030

**1252065 SCRAPER FOR COFFEE DOSER**



CIMBALI 4731-119-891

CIMBALI 965-452-000

## Feet

**1313006 FOOT  $\varnothing$  19x10 mm**  
for Grinder-dispenser (CASADIO) THEOCONIC - THEO64  
THEO84  
for Grinder-dispenser (CIMBALI) SPECIAL - 6/S  
6/SNEW  
for Grinder-dispenser (FIORENZATO C.S.) DOGECONICO  
DOGE63 - DOGE83  
for Grinder-dispenser (VIBIEMME) VB63 - VB83



CIMBALI 532-800-100



Suitable for:

# CIMBALI



Suitable for:

## Forks for portafilter coffee grinder

**1252077 FILTER HOLDER FORK**  
for Grinder-dispenser (CIMBALI) CONIK  
for Grinder-dispenser (FAEMA) MC99



CIMBALI 4529-135-265

CIMBALI 800-135-265

**1252259 FILTER HOLDER FORK**  
for Grinder-dispenser (CIMBALI) ALINOX - ALINOX A  
CADET - MD JUNIOR - MD MAX



CIMBALI 803-190-015

## Gaskets and seals

**1252471 BUMPER FOR DOSER LEVER**  
for Grinder-dispenser (CASADIO) ENEA - THEOCONIC  
THEO64 - THEO84  
for Grinder-dispenser (CIMBALI) MAGNUM - SPECIAL  
6/S - 6/SNEW  
for Grinder-dispenser (FAEMA) MD3000 - MD7S - ME64



CIMBALI 532-802-800

**1786164 GASKET FOR COFFEE OUTLET**  
for Grinder-dispenser (CASADIO) THEOCONIC - THEO64  
THEO84  
for Grinder-dispenser (CIMBALI) 7S  
for Grinder-dispenser (FAEMA) MD7S - ME64



CIMBALI 965-227-010

**1186614 GASKET FOR COFFEE OUTLET OPENING**  
for Grinder-dispenser (CIMBALI) ALINOX - MDCADET  
MDJUNIOR - MDMAX



CIMBALI 803-110-001

CIMBALI 803-110-011

**1186421 O-RING 02018 EPDM**



CIMBALI 400-293-000

**1186223 O-RING 02056 EPDM**



CIMBALI 401-250-000

CIMBALI 401-305-000

**3186245 O-RING 03200 EPDM**



CIMBALI 401-392-000

CIMBALI 402-245-000



## Grinders

**1251135 GR.BURRS CIMBALI-FAEMA TITANIUM (PAIR) LH**  
external  $\varnothing$  63.5 mm - internal  $\varnothing$  38 mm  
thickness 9 mm - 3 mounting holes



CIMBALI 427-867-000

CIMBALI 463-727-000

**1251187 GRINDING BURRS CASADIO/CIMBALI/FAEMA RH**  
external  $\varnothing$  63.5 mm - internal  $\varnothing$  38 mm  
thickness 9 mm - 3 fastening holes  
for Grinder-dispenser (CASADIO) THE064  
for Grinder-dispenser (CIMBALI) 7S  
for Grinder-dispenser (FAEMA) MD7S - ME64



CIMBALI 537-048-800

**1251031 GRINDING BURRS CIMBALI (PAIR) RIGHT**  
external  $\varnothing$  54 mm - internal  $\varnothing$  32 mm  
thickness 9 mm - 3 fixing holes



CIMBALI

**1251032 GRINDING BURRS CIMBALI (PAIR) RIGHT**  
external  $\varnothing$  64 mm - internal  $\varnothing$  37 mm  
thickness 9 mm - 3 fixing holes  
for Grinder-dispenser (CIMBALI) ALINOX - MD JUNIOR



CIMBALI 535-100-200

**1251042 GRINDING BURRS CIMBALI-FAEMA (PAIR) LH**  
external  $\varnothing$  54 mm - internal  $\varnothing$  31 mm  
thickness 8 mm - 3 fixing holes  
for Grinder-dispenser (FAEMA) MPN  
for Grinder-dispenser (FUTURMAT-ARIETE) FM - FP



CIMBALI

**1251043 GRINDING BURRS CIMBALI-FAEMA (PAIR) LH**  
external  $\varnothing$  62 mm - internal  $\varnothing$  38 mm  
thickness 9 mm - 3 fixing holes  
for Grinder-dispenser (FUTURMAT-ARIETE) FM - FP



CIMBALI

**1251015 GRINDING BURRS CIMBALI-FAEMA (PAIR) RH**  
external  $\varnothing$  75 mm - internal  $\varnothing$  44 mm  
thickness 9.4 mm - 3 fixing holes  
for Grinder-dispenser (CIMBALI) MAGNUM  
for Grinder-dispenser (FAEMA) MD3000



CIMBALI 800-133-539

CIMBALI 990-709-000

**1251041 GRINDING BURRS CIMBALI-FAEMA (PAIR) RH**  
external  $\varnothing$  54 mm - internal  $\varnothing$  31 mm  
thickness 8 mm - 3 fixing holes  
for Grinder-dispenser (FAEMA) MPN



CIMBALI 4801-116-730



Suitable for:

# CIMBALI



## 1251044 GRINDING BURRS CIMBALI-FAEMA (PAIR) RH

external  $\varnothing$  64 mm - internal  $\varnothing$  38 mm  
thickness 9 mm - 3 fixing holes



CIMBALI 4801-119-956

Suitable for:

## 1251046 GRINDING BURRS CIMBALI-FAEMA(PAIR) RIGHT

external  $\varnothing$  75 mm - internal  $\varnothing$  43.5 mm  
thickness 9 mm - 3 mounting holes  
for Grinder-dispenser (CIMBALI) MAGNUM  
for Grinder-dispenser (FAEMA) MD2000



CIMBALI 4801-133-539

## 1251170 GRINDING BURRS CIMBALI-FAEMA(PAIR) RIGHT

$\varnothing$  external 63,5 mm -  $\varnothing$  internal 38 mm  
thickness 9 mm - 3 fixing holes  
for Coffee grinder (CIMBALI) MAGNUMONDEMAND



CIMBALI 537-041-300

CIMBALI 916-116-000

## 1251036 GRINDING BURRS DRM-ALINOX (PAIR) RIGHT

external  $\varnothing$  68 mm - internal  $\varnothing$  43 mm  
thickness 8 mm - 3 fixing holes  
for Grinder-dispenser (CIMBALI) ALINOX A



CIMBALI 803-130-050

## 1251045 GRINDING BURRS FAEMA CONICAL (PAIR) RH

external  $\varnothing$  68/49 mm - internal  $\varnothing$  41/11 mm  
thickness 25 mm - 4 fixing holes  
for Grinder-dispenser (CIMBALI) CONIK  
for Grinder-dispenser (FAEMA) MC90 - MC99



CIMBALI 2801-131-470

## 1251047 GRINDING BURRS PAIR CIMBALI RH

external  $\varnothing$  64 mm - internal  $\varnothing$  38 mm  
thickness 9 mm - 3 mounting holes  
for Grinder-dispenser (CIMBALI) MD MAX

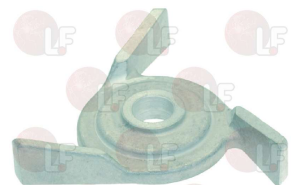


CIMBALI 803-130-055

## Grinding burr holders

### 1251034 BOTTOM BURRS HOLDER IMPELLER

for Grinder-dispenser (CIMBALI) CONIK  
for Grinder-dispenser (FAEMA) MC90 - MC99

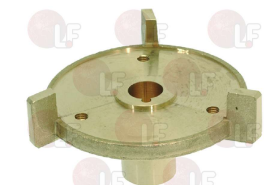


CIMBALI 4821-024-371

CIMBALI 965-457-000

### 1251040 GRINDING BURRS BOTTOM HOLDER

for Grinder-dispenser (CIMBALI) 6/S - 6/SNEW



CIMBALI 465-140-040

CIMBALI 465-140-050

Suitable for:

Suitable for:

**1251029 GRINDING BURRSTURNING HOLDER**  
for Grinder-dispenser (CIMBALI) ALINOX - CADET  
MD JUNIOR



CIMBALI 803-130-004

## Ironmongery (screws,nuts,washers)

**3528291 CROSS HEAD FLUSH SCREW M4x8 UNI 7688**



CIMBALI 429-600-000

**1528631 CROSS HEAD SCREW M4x8 UNI 7687**



CIMBALI 502-704-086

**1528012 CROSS HEAD SCREW M5x14 UNI 7687**



CIMBALI 500-705-141

CIMBALI 503-405-160

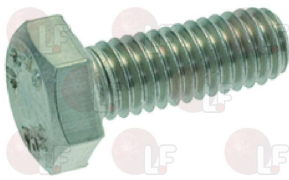
CIMBALI 5036405160

**1348813 HEXAGONAL NORM.NUT M4 ST.STEEL UNI 5588**



CIMBALI 542-904-040

**3528112 S/S SCREW T.E. M6x16 UNI 5739 DIN 24017**



CIMBALI 593-793-001

**3060069 S/STEEL HEXAGONAL MEDIUM NUT M8 UNI 5588**



CIMBALI 542-908-080

**1528001 SCREW M4x10 UNI 6109**



CIMBALI 503-604-100

**3060054 ST.STEEL HEXAGONAL NORM.NUT M10 UNI 5588**



CIMBALI 542-910-040

**1528030 ST.STEEL HEXAGONAL NUT M6 UNI 5588**



CIMBALI 541-806-050



Suitable for:

# CIMBALI



Suitable for:

## Knobs

**1241072 CONTROL KNOB**



CIMBALI 803-130-061

**1241073 CONTROL KNOB**



CIMBALI 803-180-011

**1241052 DOSE ADJUSTMENT KNOB**



CIMBALI 4831-119-890

CIMBALI 965-213-000

**1241070 DOSE ADJUSTMENT KNOB**



CIMBALI 803-130-011

## Lamps

**1221002 GREEN INDICATOR LAMP 220V**  
head  $\varnothing$  10 mm - hole  $\varnothing$  9 mm



CIMBALI 445-591-000

CIMBALI 530-150-610

**3221101 GREEN INDICATOR LAMP 230V**  
head  $\varnothing$  15 mm -  $\varnothing$  hole 13 mm - 120°C  
universal application



CIMBALI 3402-133-614

**3221132 GREEN INDICATOR LAMP 230V**  
head  $\varnothing$  13.5 mm - hole  $\varnothing$  10 mm - 120°C  
universal application



CIMBALI 530-107-100

**1221006 GREEN INDICATOR LAMP 250V**  
head  $\varnothing$  14 mm - hole  $\varnothing$  12 mm - 75°C



CIMBALI 3541-133-504

**3221262 GREEN LAMP RECEPTACLE**  
head  $\varnothing$  14.5 mm - hole  $\varnothing$  12 mm



CIMBALI 530-110-100

**3221199 GREEN INDICATOR LAMP 250V**  
head  $\varnothing$  8 mm - 150°C  
wire connection length 300 mm  
for EMMEPI PASTA COOKER 650-700-750-900  
for EMMEPI FRYER 650-700-750-900  
for EMMEPI BAIN MARIE 650  
for GIORIK OVEN EF4







Suitable for:

**3221202 TRANSPARENT INDICATOR LAMP 250V**  
head  $\varnothing$  8 mm - 150°C  
wire connection length 300 mm  
for GIORIKOVEN EF4

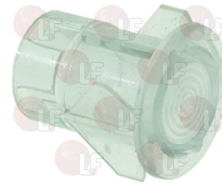


# CIMBALI



Suitable for:

**3221358 WHITE LAMP RECEPTACLE**  
head  $\varnothing$  16 mm - hole  $\varnothing$  13 mm  
for GIORIK OVEN EF4

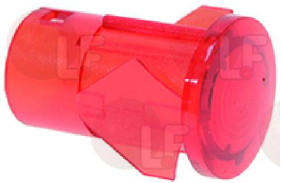


**3221095 ORANGE INDICATOR LAMP 230V**  
head  $\varnothing$  13.5 mm - hole  $\varnothing$  10 mm - 120°C  
universal application



CIMBALI 530-107-400

**3221021 RED LAMP RECEPTACLE**  
head  $\varnothing$  14.5 mm - hole  $\varnothing$  12 mm



CIMBALI 530-106-200

CIMBALI 530-106-400

**3221097 NEUTRAL INDICATOR LAMP 220V**  
head  $\varnothing$  8 mm - 120°C



CIMBALI 530-150-300

## Levers

**1225020 DOSER LEVER**  
for Grinder-dispenser (CIMBALI) SPECIAL - 6/SNEW



CIMBALI 465-603-000

**1225021 DOSER LEVER**  
for Grinder-dispenser (FAEMA) MC99



CIMBALI 3811-135-491

CIMBALI 965-986-000

**1252343 DOSER LEVER**  
for Grinder-dispenser (CIMBALI) ALINOX - ALINOX A  
CADET - MD JUNIOR - MD MAX  
for Grinder-dispenser (DRM) GTM64



CIMBALI 803-130-044

**1252108 DOSER LEVER KNOB**  
for Grinder-dispenser (CIMBALI) CADET - MD JUNIOR  
for Grinder-dispenser (DRM) GTM64



CIMBALI 803-130-060



Suitable for:

Suitable for:

**1252199 DOSER LEVER RIGHTHAND**  
for Grinder-dispenser (CIMBALI) 6/S



CIMBALI 465-306-004

CIMBALI 537-022-200

## Microswitches

**1252365 DISPENSER FRAME**



CIMBALI 803-190-006

**1252258 LID WITH POINTER**



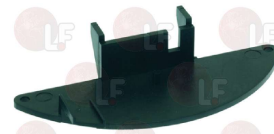
CIMBALI 803-190-007

**1252059 MICRO BOX**



CIMBALI 4529-133-522

**1252058 MICRO BOX LID**



CIMBALI 4529-133-521

CIMBALI 800-133-521

**1252260 MICRO BOX LID FOR DOSER**



CIMBALI 465-235-000

CIMBALI 965-216-000

**1252010 MICRO OPERATION FLAP**

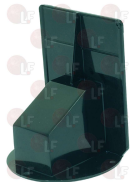


CIMBALI 465-463-000

CIMBALI 965-017-000

CIMBALI 965-017-010

**1252197 MICROSWITCH BOX**



CIMBALI 465-224-010

CIMBALI 465-224-020

**1252294 MICROSWITCH BOX LID**



CIMBALI 4831-130-192

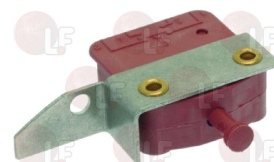
CIMBALI 965-350-000

**1240030 MICROSWITCH 110/230V**  
for Grinder-dispenser (CIMBALI) MAGNUM  
for Grinder-dispenser (FAEMA) MD2000



CIMBALI 3342-133-738

**1240007 MICROSWITCH 16A 250V**  
for Grinder-dispenser (CIMBALI) CONIK  
for Grinder-dispenser (FAEMA) MC90 - MC99



CIMBALI 3341-134-617

CIMBALI 965-719-000



Suitable for:

**1240283 MICROSWITCH 16A 250V**  
 for Coffee grinder (CASADIO) ENEA0D  
 for Grinder-dispenser (CASADIO) ENEA - THEOCONIC  
 THEO64 - THEO84  
 for Grinder-dispenser (CIMBALI) 7S  
 for Grinder-dispenser (FAEMA) MD7S - ME64



CIMBALI 532-022-808

Suitable for:

**3240123 MICROSWITCH 16A 250V**



CIMBALI 3301-133-541  
 CIMBALI 803-140-022

CIMBALI 532-009-800  
 CIMBALI 803-140-023

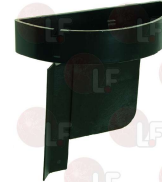
CIMBALI 532-020-000

**1240037 MICROSWITCH 6A 250V**  
 for Grinder-dispenser (CIMBALI) SPECIAL - 6/S  
 6/SNEW



CIMBALI 465-564-000

**1252070 SUPPORT FOR MICRO**



CIMBALI 3251-131-313

CIMBALI 965-501-000

**1252310 SUPPORT FOR MICROSWITCH**



CIMBALI 803-130-046

**1252331 SUPPORT FOR MICROSWITCH**



CIMBALI 803-130-052

## Pawls for coffee grinder dosers

**1252330 COFFEE GRINDER/DOSER PAWL**



CIMBALI 4151-012-801

**1252348 PAWL COFFEE GRINDER/DOSER**



CIMBALI 465-007-000

**1252363 PAWL COFFEE GRINDER/DOSER**



CIMBALI 465-007-010

**1252364 PAWL COFFEE GRINDER/DOSER**



CIMBALI 803-130-021



Suitable for:

# CIMBALI



Suitable for:

**1252021 PAWL GEAR 6 TEETH**



CIMBALI 4831-134-778

## Pins

**1252309 ADJUSTMENT BUTTON**



CIMBALI 465-285-010

**1252346 ADJUSTMENT PIN**



CIMBALI 465-310-011

**1252290 BALL FOR MICRO REGULATION GROUP**



CIMBALI 803-180-006

**1250036 CLASP  $\varnothing$  5x16 mm**



CIMBALI 4061-133-599

**1250038 CLASP  $\varnothing$  5x18 mm**



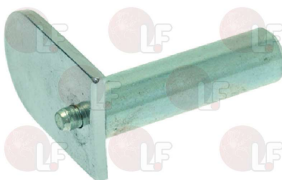
CIMBALI 4061-119-924

**1324140 DISPENSER GROUP PIN  $\varnothing$  4x16 mm**  
for Grinder-dispenser (CASADIO) THEOCONIC - THEO64  
THEO84  
for Grinder-dispenser (CIMBALI) 7S  
for Grinder-dispenser (FAEMA) MD7S - ME64



CIMBALI 4061-133-598

**1252384 LOCKING PIN**



CIMBALI 3811-135-283

**1252318 LOCKING RING NUT**



CIMBALI 4851-117-463

CIMBALI 965-453-000

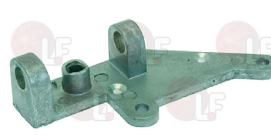
**1252349 PAWL CLASP**



CIMBALI 465-014-009

CIMBALI 532-719-400

**1252344 SUPPORT FOR SCREW**



CIMBALI 803-130-010

**1528037 WORM SCREW**



CIMBALI 803-130-008

## Pull-through brushes

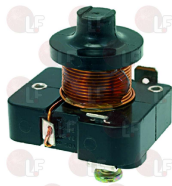
**1384001 BRUSH FOR COFFEE SHOWER**



CIMBALI 457-062-000

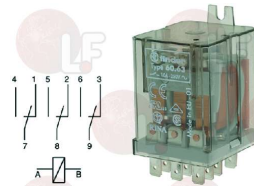
## Relays

**1252529 CIRCUIT INTERRUPTER MD50 4211 - NEW**



CIMBALI 531-505-800

**3351605 RELAY 60.63 10A 230V 50/60Hz**  
3 switching contacts  
for CIMBALI JUNIOR

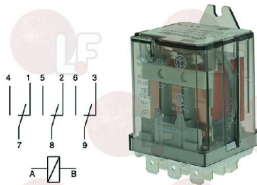


CIMBALI 531-502-700

CIMBALI 531-506-300

CIMBALI 531-507-500

**3351008 RELAY 62.83 16A 230V 50/60Hz**  
3 switching contacts  
for CIMBALI MAGNUM-SPECIAL-6/S-6/SNEW  
for FAEMA MD3000  
for SILANOS 030A-N50/90/700-E1000



CIMBALI 3442-133-670

CIMBALI 537-020-300

## Remote control switches

**3446556 CONTACTOR LOVATO BG0910A**  
coil 9A 230V 50/60Hz 4Kw  
3 normally open contacts  
1 normally open auxiliary contact



CIMBALI 531-503-510

CIMBALI 531-506-600

CIMBALI 531-507-208



Suitable for:

# CIMBALI



Suitable for:

## Springs

**1250107 ADJUSTMENT ROD SPRING**



CIMBALI 465-044-000

**1250109 BALL SPRING**



CIMBALI 803-130-029

**1250031 CLAPS SPRING ø 5x24 mm**



CIMBALI 4731-027-432

**1250061 CLASP SPRING**



CIMBALI 4731-133-577

**1250060 COFFEE TAMPER SPRING ø 13x73 mm**



CIMBALI 4731-133-593

**1250110 COUNTER TIE ROD**



CIMBALI 465-376-000

**1250091 DISPENSER STAR SPRING**



CIMBALI 803-130-022

**1250118 DOSE ADJUSTMENT SPRING**



CIMBALI 465-025-000

**1250062 DOSER LEVER RETURN SPRING**  
for CIMBALI MAGNUM  
for FAEMA MD2000-MD3000



CIMBALI 4731-133-581

CIMBALI 800-133-581

**1250093 DOSER LEVER RETURN SPRING**  
for CIMBALI MAX-JUNIOR-CADET-ALINOX-ALINOX A  
for DRM GTM64



CIMBALI 803-130-027

**1250119 DOSER LEVER RETURN SPRING**  
for CIMBALI SPECIAL-6/S NEW



CIMBALI 465-406-000

**1250125 DOSER LEVER RETURN SPRING**  
for CIMBALI 6/S



CIMBALI 465-012-020



Suitable for:

**1250033 DOSER LEVER RETURN SPRING LEFTHAND**  
for CIMBALI MAGNUM  
for FAEMA MD2000-MD3000



CIMBALI 4731-133-582

**1250117 MIXER ROD SPRING**



CIMBALI 465-408-010

CIMBALI 465-408-020

**1250108 PIN SPRING**



CIMBALI 465-015-000

**1250035 SPRING  $\varnothing$  11x50 mm**



CIMBALI 4731-008-848

**1252107 STROKE COUNTER SHAFT**



CIMBALI 803-130-026

**1343022 BOTTOM STAR**



CIMBALI 465-183-010

CIMBALI 465-183-020

Suitable for:

**1250032 LEVER RETURN SPRING  $\varnothing$  9x50 mm**  
for CIMBALI CONIK  
for FAEMA MPN-MC99-MC90



CIMBALI 4731-131-784

**1250059 MOTOR PIN SPRING**  
for CIMBALI MAGNUM  
for FAEMA MD2000-MD3000



CIMBALI 4731-133-568

**1250120 ROD SPRING**



CIMBALI 465-028-000

CIMBALI 465-409-000

**1250034 SPRING  $\varnothing$  8x25 mm**



CIMBALI 4731-023-460

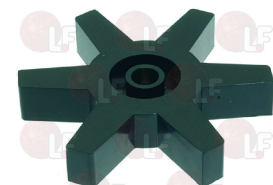
**1250069 STROKE COUNTER SPRING**



CIMBALI 4731-117-495

## Stars and spare parts

**1343026 BOTTOM STAR**



CIMBALI 3831-117-458

CIMBALI 965-448-000



Suitable for:

# CIMBALI



## 1343081 BOTTOM STAR

for Grinder-dispenser (CASADIO) ENEA - THEOCONIC THEO64 - THEO84  
for Grinder-dispenser (CIMBALI) MAGNUM  
for Grinder-dispenser (FAEMA) MD2000 - MD3000 MD7S - ME64 - SILVER



CIMBALI 4831-119-874

Suitable for:

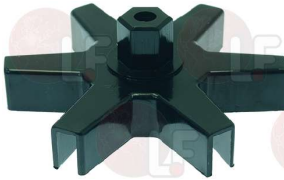
## 1252106 BOTTOM STAR WITH MIXER



CIMBALI 803-130-012

## 1343080 CENTRAL STAR

for Grinder-dispenser (CASADIO) ENEA - THEOCONIC THEO64 - THEO84  
for Grinder-dispenser (CIMBALI) MAGNUM  
for Grinder-dispenser (FAEMA) MD2000 - MD3000 MD7S - ME64 - SILVER



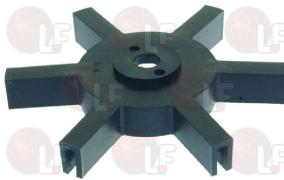
CIMBALI 4831-119-875

## 1252265 CONVEYER FOR STAR



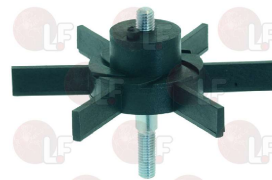
CIMBALI 465-006-030

## 1343015 DOSE ADJUSTMENT STAR



CIMBALI 803-130-014

## 1343016 DOSE CONVEYING STAR



CIMBALI 803-130-015

## 1252196 DOSER SHEET



CIMBALI 803-130-013

## 1252200 DOSER SHEET



CIMBALI 4941-026-287

CIMBALI 965-450-000

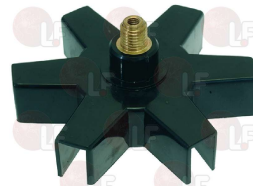
## 1252347 DOSER SHEET



CIMBALI 465-029-000

CIMBALI 465-029-010

## 1343023 MIDDLE STAR



CIMBALI 3831-117-460

CIMBALI 965-449-000



Suitable for:

**1343028 MIDDLE STAR**

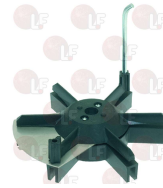


CIMBALI 465-182-000

CIMBALI 465-182-010

Suitable for:

**1343024 STAR ASSEMBLY**



CIMBALI 803-130-054

**1343020 TOP STAR**



CIMBALI 4831-117-462

CIMBALI 965-451-000

**1343025 TOP STAR**



CIMBALI 803-130-047

**1343027 TOP STAR**



CIMBALI 465-181-000

CIMBALI 465-181-010

**1343079 TOP STAR**

for Grinder-dispenser (CASADIO) ENEA - THE064  
THE084

for Grinder-dispenser (FAEMA) MD7S - ME64



CIMBALI 965-192-000

## Switches

**1319902 BLACK BIPOLAR SWITCH 16A 250V**

with indicator led lamp  
mounting hole 22x30 mm  
for Grinder-dispenser (CIMBALI) ALINOX - ALINOX A  
CADET - MD JUNIOR  
for Grinder-dispenser (DRM) GTM64  
for Grinder-dispenser (MAZZER) LUX - MINI  
MINI ELETTRONICO A - MINI ELETTRONICO B



CIMBALI 532-022-008

CIMBALI 803-140-010

**3319154 BLACK BIPOLAR SWITCH 16A 250V**

with push-button cover  
0-1 silk-screen printing  
max temperature 120°C  
mounting hole 22x30 mm  
for Coffee grinder (ASTORIA CMA) K30



CIMBALI 532-010-600

CIMBALI 532-015-500

CIMBALI 532-022-300



Suitable for:

# CIMBALI

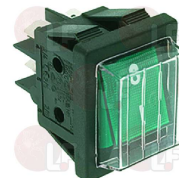


**1319003 BLACK SINGLE POLE PUSH-BUTTON 0.7A 250V**  
 head  $\varnothing$  19 mm - mounting hole  $\varnothing$  15 mm  
 for Grinder-dispenser (BEZZERA) BB90  
 for Grinder-dispenser (CARIMALI) GT - G1 - M1 - M3  
 for Grinder-dispenser (CIMBALI) ALINOX A  
 for Grinder-dispenser (OBEL) DSQ - EB - GLOBO"G"  
 MITOCONIC  
 for Grinder-dispenser (PAVONI) ZIP



CIMBALI 803-140-029

**3319012 GREEN BIPOLAR SWITCH 16A 250V**  
 with indicator light and switch cover  
 screen printing 0 - I  
 max temperature 120°C  
 mounting hole 22x30 mm



CIMBALI 532-091-300

**3319016 RED BIPOLAR SWITCH 16A 250V**  
 with indicator lamp  
 silk-screen print 0 - I  
 max temperature 120°C  
 mounting hole 22x30 mm



CIMBALI 532-007-300

**1319212 THREE-POLE LEVER SWITCH 16A 400V**  
 for Grinder-dispenser (CIMBALI) SPECIAL - 6/S  
 6/SNEW



CIMBALI 532-001-000

CIMBALI 532-001-008

## Tampers for coffee

**1385010 COFFEE TAMPER  $\varnothing$  55 mm**



CIMBALI 465-534-000

**1385002 NYLON COFFEE TAMPER  $\varnothing$  50/57 mm**



CIMBALI 457-209-000

## Terminal blocks

**3247016 3-POLE TERMINAL BLOCK FV273 40A 450V**  
 for cable max 6 mm<sup>2</sup>  
 operating temperature 150°C  
 nominal voltage 450 V



CIMBALI 532-128-200

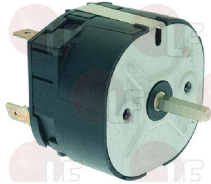
---

**Timers**

---

**1446004 TIMER 60 SECONDS 16A 250V**

mechanical movement with balance wheel  
manually set cycle 1 minute  
bipolar with contact capacity 16A 250V  
max room temperature 125°C  
square pin 3.5x3.5 mm  
for CASADIO THE064-THE084-THEOCONIC  
for CIMBALI 7S  
for FAEMA MD7S-ME64



CIMBALI 965-173-000

---

**Trays**

---

**1252381 COFFEE COLLECTION TRAY**

for Grinder-dispenser (CIMBALI) ALINOX - ALINOX A  
CADET - MD JUNIOR - MD MAX



CIMBALI 803-130-048

*The data herewith contained may change without notice and LF SpA cannot be held responsible for possible errors stated or resulting by the use of this document. All rights reserved. No part of this publication may be reproduced without written permission by LF SpA.*



**LF SpA**  
via Voltri, 80 - 47522 Cesena (FC) ITALIA  
Tel. +39 0547 34 11 11 - Fax +39 0547 34 11 10  
[www.lfricambi724.it](http://www.lfricambi724.it) - [www.lfricambi724.mobi](http://www.lfricambi724.mobi)  
[info@lfricambi.it](mailto:info@lfricambi.it)  
Export Dept.: Tel. +39 0547 34 11 50 - Fax: +39 0547 34 11 55  
[www.lfspareparts724.com](http://www.lfspareparts724.com) - [www.lfspareparts724.mobi](http://www.lfspareparts724.mobi)  
[export@lfspaceparts.com](mailto:export@lfspaceparts.com)

**FRANCE**



**EPGC Sas**  
13, Rue des Forts - 59960 Neuville en Ferrain  
Tél. +33 (0)3 20 25 06 21  
Fax +33 (0)3 20 25 34 12  
[www.epgc.com](http://www.epgc.com)  
[www.epgc724.mobi](http://www.epgc724.mobi)  
[epgc@epgc.com](mailto:epgc@epgc.com)

**DEUTSCHLAND**



**LF GmbH**  
Junkersstrasse, 1 - D-82178 Puchheim - München  
Tel. +49 89 89 45 78 66  
Fax +49 89 89 45 78 88  
[www.lfersatzteile724.de](http://www.lfersatzteile724.de)  
[www.lfersatzteile724.mobi](http://www.lfersatzteile724.mobi)  
[info@lfersatzteile.de](mailto:info@lfersatzteile.de)

**SCHWEIZ**



**LF GmbH Verkaufsbüro**  
Sennweidstrasse, 45 - CH-6312 Steinhausen  
Tel. +41 (0)41 760 15 80-1  
Fax +41 (0)41 760 15 85  
[www.lfersatzteile724.ch](http://www.lfersatzteile724.ch)  
[www.lfersatzteile724.mobi](http://www.lfersatzteile724.mobi)  
[info@lfersatzteile.ch](mailto:info@lfersatzteile.ch)

**ESPAÑA**



**LF Repuestos Horeca S.L.U.**  
Calle Ciudad Real, 10 - 45517 Escalonilla - Toledo  
Tif. +34 91 477 91 00  
Fax +34 91 477 90 81  
[www.lfrepuestos724.es](http://www.lfrepuestos724.es)  
[www.lfrepuestos724.mobi](http://www.lfrepuestos724.mobi)  
[info@lfrepuestos.es](mailto:info@lfrepuestos.es)

**UNITED KINGDOM**



**LF Spare Parts Ltd.**  
A10a Lakeside Business Park, Broadway Lane  
South Cerney, Gloucestershire GL7 5XL  
Tel. +44 (0)1285 86 16 25  
Fax +44 (0)1285 86 39 49  
[www.lfspareparts724.co.uk](http://www.lfspareparts724.co.uk)  
[www.lfspareparts724.mobi](http://www.lfspareparts724.mobi)  
[info@lfspaceparts.co.uk](mailto:info@lfspaceparts.co.uk)

**RUSSIA**



**OOO LF**  
ul, Anatoliya Zhivova, 8 - office 1 - 123100 Moscow  
Tel. +7 499 259 85 75  
Fax +7 495 725 26 53  
[www.lfspareparts724.ru](http://www.lfspareparts724.ru)  
[www.lfspareparts724.mobi](http://www.lfspareparts724.mobi)  
[info@lfspaceparts.ru](mailto:info@lfspaceparts.ru)

**CHINA**



**LF China**  
Room 102, House 8, Lane 725, Mao Tai Rd.  
Changning Dist. - 200336 Shanghai  
Tel. +86 (0)21 33 53 66 31  
Fax +86 (0)21 33 53 66 32  
[www.lfspareparts724.com](http://www.lfspareparts724.com)  
[www.lfspareparts724.mobi](http://www.lfspareparts724.mobi)  
[china@lfspaceparts.com](mailto:china@lfspaceparts.com)